

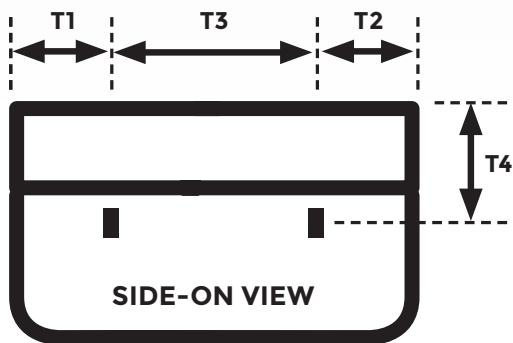


How to measure your spa cover correctly

C

Measuring location of catches

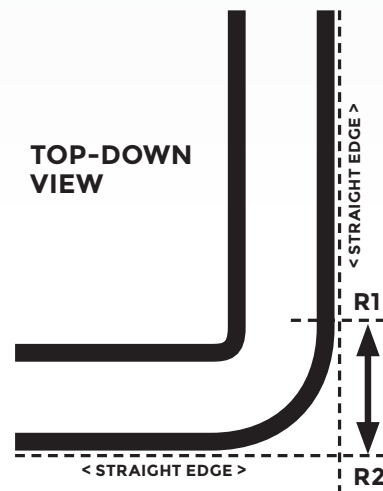
Measure distance (T1 & T2) from each outer spa edge to centre of catch. If more than one catch per side also measure distance between catches (T3). Then measure from top of the spa (**not the spa cover**) down to center of catch (T4).



R

Measuring the outer radius

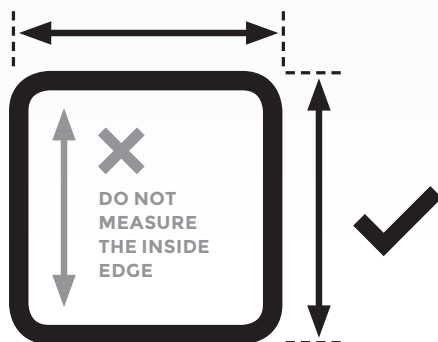
Measure from beginning of curve (R1) to point where both straight rules meet (R2)



S

Measuring each side

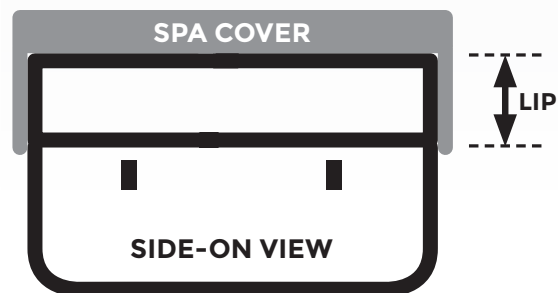
Measure the outside dimensions of your spa.



L

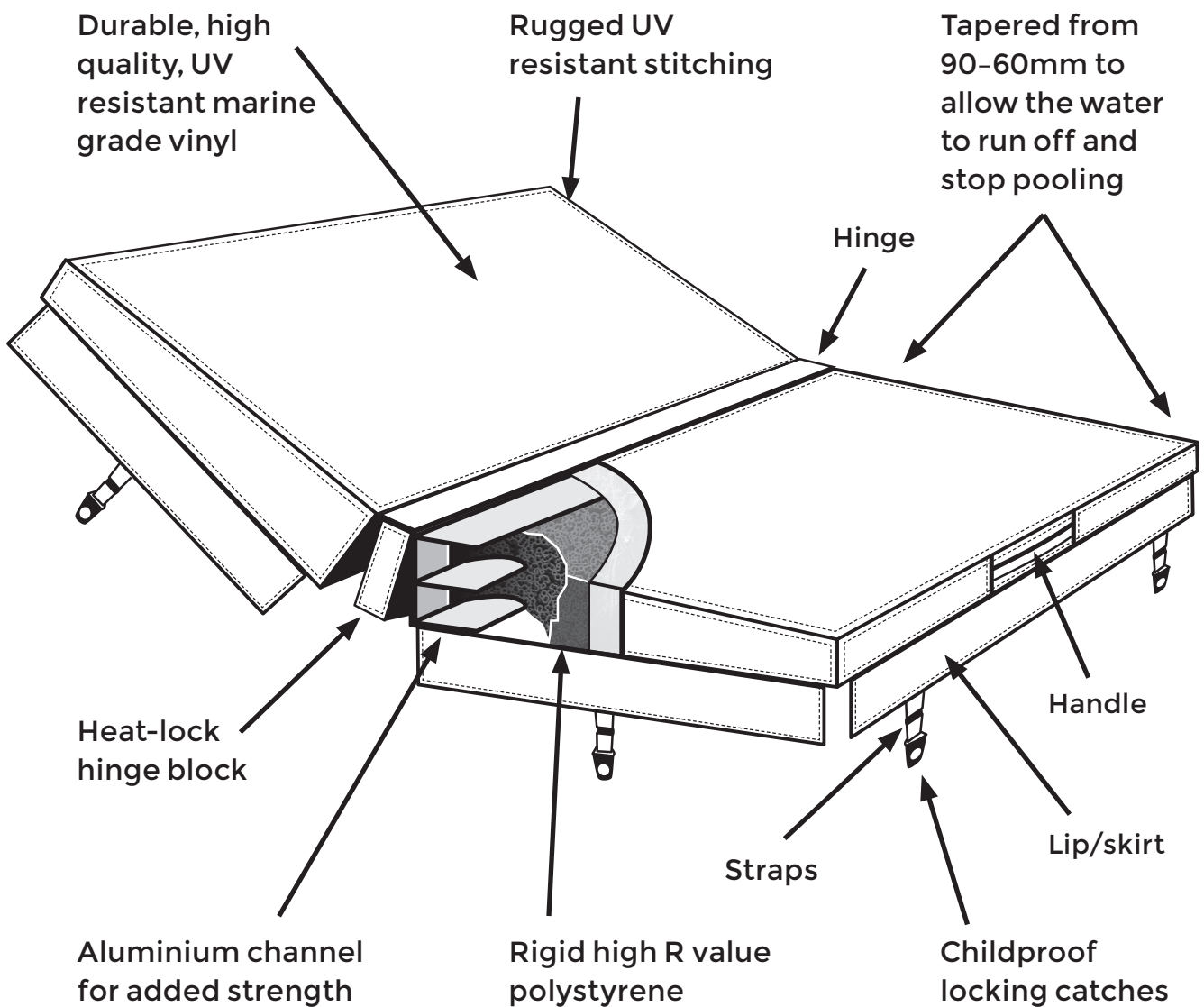
Measuring the lip

Measure from top surface of spa shell down to where it meets cabinet, deck or tile.





Spa Cover Construction



SPA COVER ORDER FORM – SCAN AND UPLOAD/EMAIL OR POST TO SPA STORE NEW ZEALAND

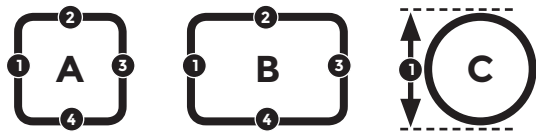
Email: info@spastore.co.nz Postal address: PO Box 2564, Stoke, Nelson 7041

Name: _____

Email: _____

Phone: _____

Address: _____



Hinge runs from side: _____ to side: _____

What shape is your spa? (see above, tick appropriate box):

- A B C Other (if your shape is not here please send sketch)

R Radius in mm (for each corner if different): _____

S Length of **each side** in mm (see above diagram):

1. _____ 2. _____ 3. _____ 4. _____

C Location of **catches** in mm: (NEW LOCKING LATCHES ARE INCLUDED. YOU MAY NEED TO DRILL NEW HOLES.)

T1 + T2 + T3 = Length of side with straps. If straps are on four corners, note instead of T1 and T2.

Side 1. T1. _____ T2. _____ T3. _____ T4. _____ Side 2. T1. _____ T2. _____ T3. _____ T4. _____

Side 3. T1. _____ T2. _____ T3. _____ T4. _____ Side 4. T1. _____ T2. _____ T3. _____ T4. _____

L Height of lip in mm: _____

Make and model of spa if known: _____

COLOUR: PLEASE NOTE: COLOURS MAY VARY DEPENDING ON SCREEN SHADING AND PRINT OUTPUT AND ARE INDICATIVE ONLY.



- Slate (Charcoal) Chocolate Tan Navy Blue Burgundy

Your signature: _____

TERMS AND CONDITIONS SPECIFIC TO SPA COVERS:

These terms and conditions are not exclusive of but are an addition to the Spa Store Standard Terms and Conditions.

Please be advised that all our spa covers are custom built for you. We build them to the dimensions supplied by you using this measurement sheet.

Date: _____

By signing you are accepting and agreeing to the terms and conditions.

Measurements:

- Please read our instruction sheet and contact us if you have any questions.
- Please take extra care while taking the measurements and check them carefully before sending to us. Do ensure that they are clearly written.
- We will not accept a return, exchange or refund because of incorrect measurements supplied by you.

Colour:

- Choose the colour of your spa cover keeping in mind that the colours that you see on our site are only representations and can look different from the actual colour because of your monitor settings.
- We will not accept a return, exchange or refund because of colour issues.

Please note: New locking cover latches are included and your old latches may need to be removed and new holes drilled for the new new latches. We cannot guarantee the exact placement of your latches.

If your spa has any other custom features that are required, you must inform us at the time you submit the measurement sheet.

By signing and dating this measurement sheet you agree with the above terms and conditions and agree that the listed dimensions and colour selection are final.

Notes: